

Gaia
Electric Stretcher

areequipment.com



Gaia - Get lazy

The Gaia electric stretcher makes loading and unloading a patient one of the easiest jobs.

- Battery-powered hydraulic lift system
- The material is high-strength aluminium alloy which is hardened and surface powder coated.
- The length of the stretcher can be adjusted to fit in a narrow place and elevator
- Equipped with four wheels and two of them with brakes
- PVC materials mattress
- Three point belt kit
- Equipped with Three-staged IV stand
- Power voltage is 36V, rechargeable BOSCH lithium battery
- With manual pressure relief function which can lift and down manually when the battery power is not enough
- Possible to allocate an incubator by removing the top part

Dimensions (LxWxH)

High Position 1970 x 580 x 1150 mm

Low Position 1970 x 580 x 360 mm

Width

580 mm

Weight

73,3 Kg

Maximum Loading weight

300KG

Wheels Diameter

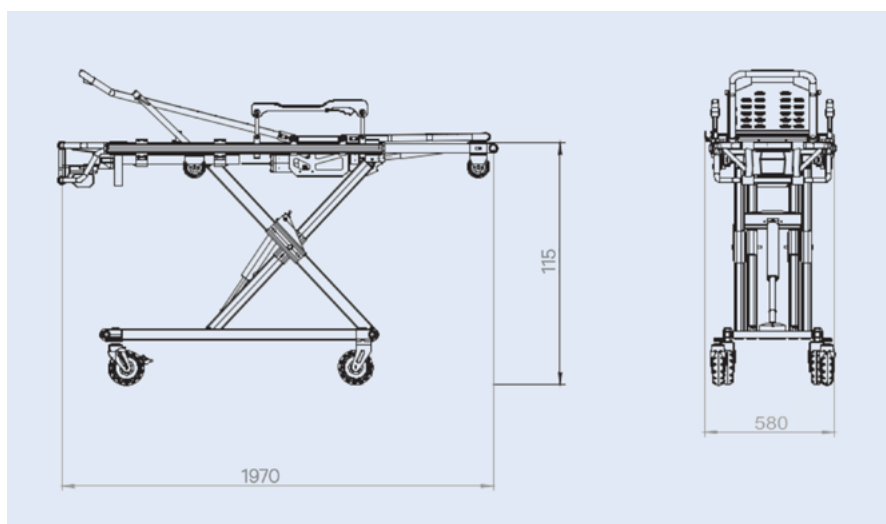
150mm

Warranty

2 years



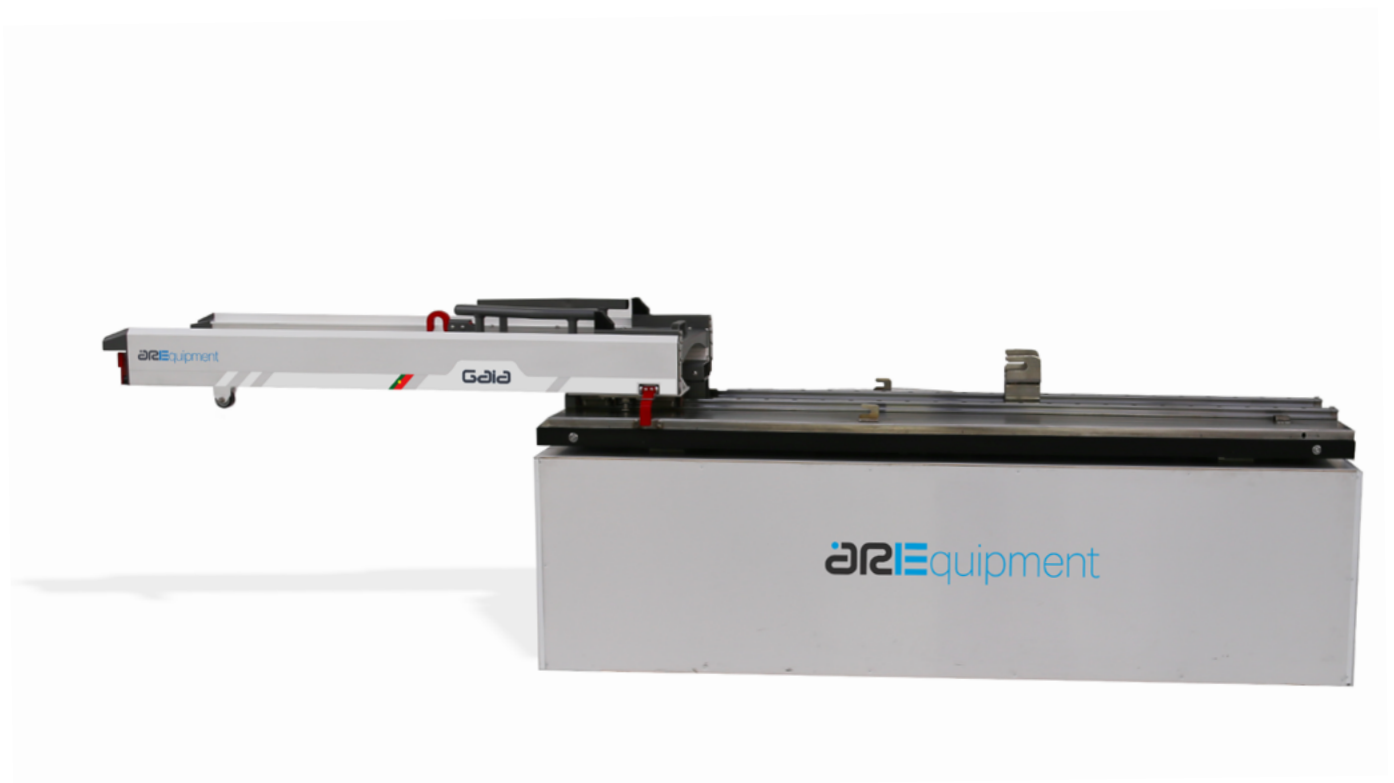
- Work pressure: 14MPa
- Input voltage: 36VDC
- Solenoid Valve Voltage: 36VDC
- Motor power: 1440W
- Hydraulic oil medium: CHF 11S
- Power unit operating temperature: -34.4C° to 60C°
- Input power time: ≤2 hours
- Working 120 times without loading
- Working 100 times with loading



E Gaia

Plataform for GAIA Stretcher

areequipment.com



E Gaia - Easy Loading

The Gaia electric stretcher along with the **E GAIA** makes loading and unloading a patient one of the easiest jobs. With a push of a button and the lever you can lift and load a patient in an ambulance to up to 300 kg with no effort at all.

- Battery-powered hydraulic lift system
- Lateral movement

Dimensions (LxWxH)

223 x 67 x 32 cm

Weight

135 kg

Warranty

2 years

