

E250F

Fastener



EN 1865-5
10G

E250F. Fastener.

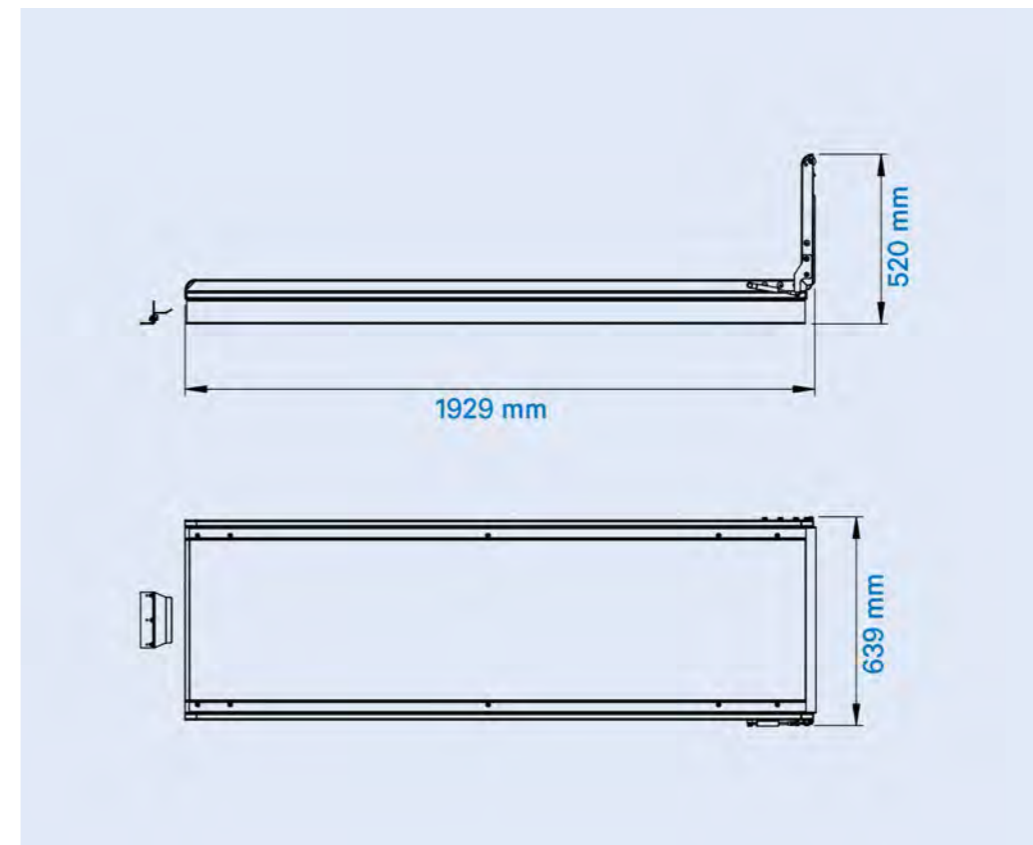
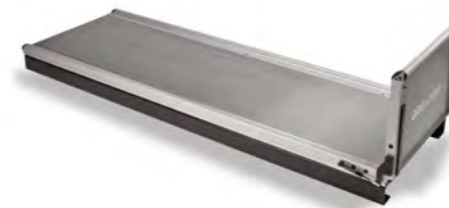
- Structure in steel/stainless steel ramp
- 3 fixation points
- Mechanical drive handle

EN 1865-5
10G

Weight:
66 kg

Dimensions
1929 x 639 x 520 mm

Warranty:
2 years



Made in Portugal



Rua de S. Caetano 459 / 519
Apartado 526
4411-701 Canelas, V. N. Gaia,
Portugal

www.autoribeiro.pt
autoribeiro@autoribeiro.pt
+351. 227 157 100
+351. 227 121 144 (F)

