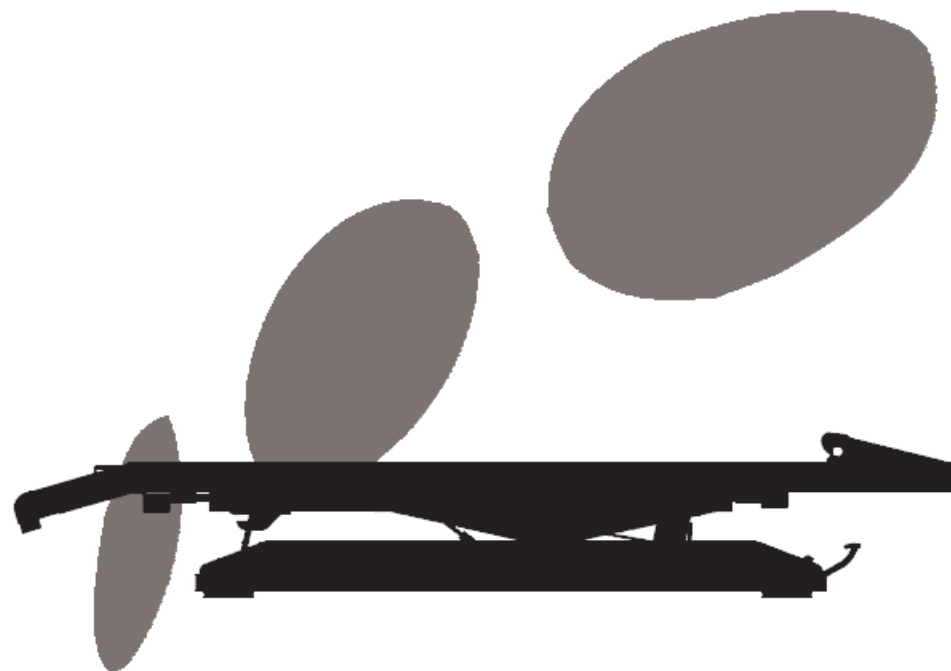


Rua de S. Caetano, 551 Apartado 526  
4411-701 Canelas; Vila Nova de Gaia, Portugal  
Telf: +351 227157100 , Fax: +351 2271244  
autoribeiro@autoribeiro.pt  
www.autoribeiro.pt

Inglês:

## **User Manual: Equipment A150**



## Introduction:

This table is developed by Auto Ribeiro Lda, the main purpose of this product is the assistance to the load of patients inside road vehicles.

## Technical features:

- Weight: 66 kg
- Maximum allowed load: 300 kg
- Maximum dimensions: 1965x680x345mm



Presentation of the – table



Different possible movement

## Maintenance:

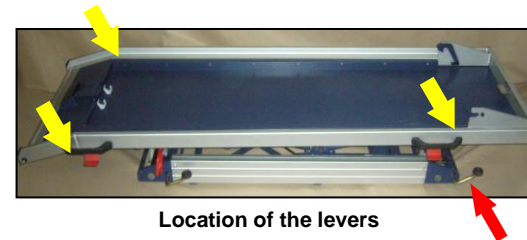
- Visual inspection of the articulated parts.
- Lubrication of the contact parts when needed.

## Right lever:

Press the right red lever to lower and raise the table. When pressing the lever the lock is release and is possible to move the table, release the lever to lock in position.



Right lever



Location of the levers

## Left lever:

Press the lever to move the table in longitudinal direction. Release to lock.



Left lever

## Lateral movement:

When pressed (foot) is the lateral lever is possible to have sideways movement. Releasing the lever will lock the position.



Lateral movement

## Utilization:

The table must be fixed on the floor of the vehicle. This table is compatible with Auto Ribeiro Lda. Trolleys and stretchers.



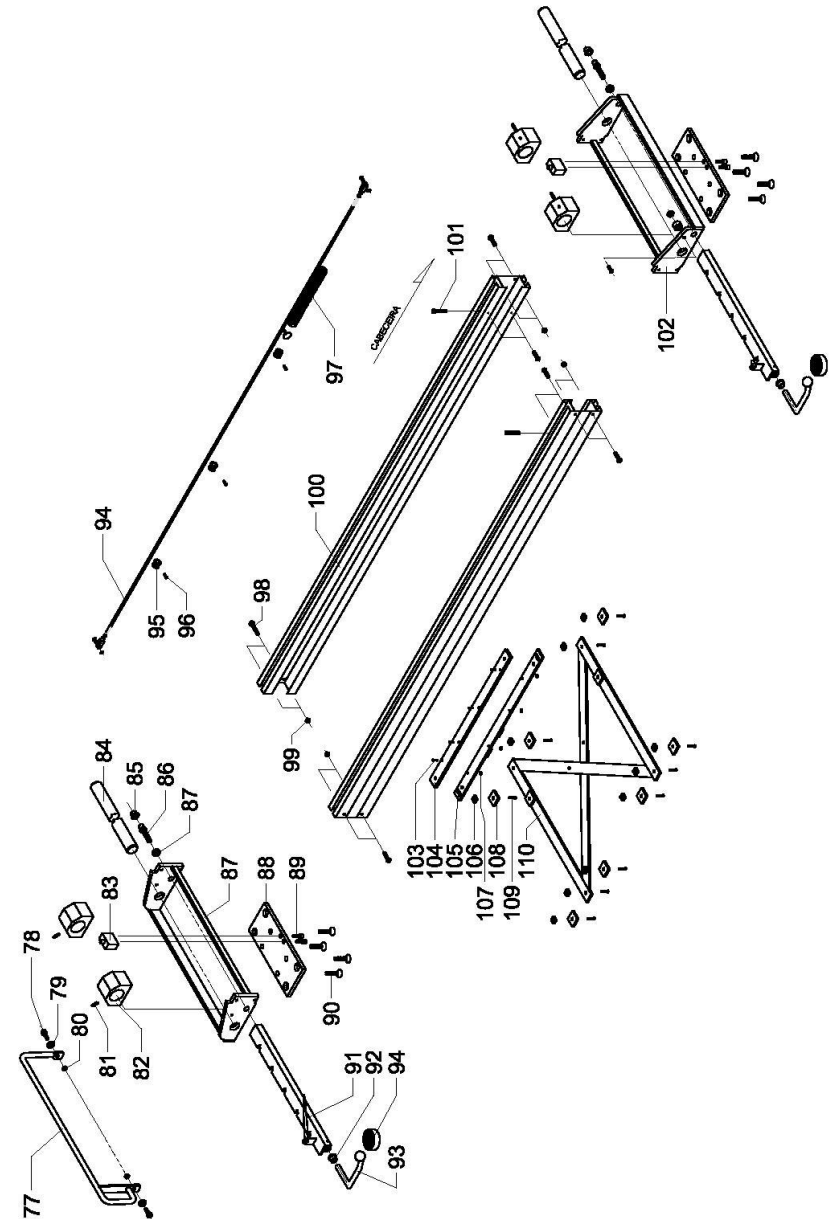
Acesso do carrinho ao interior

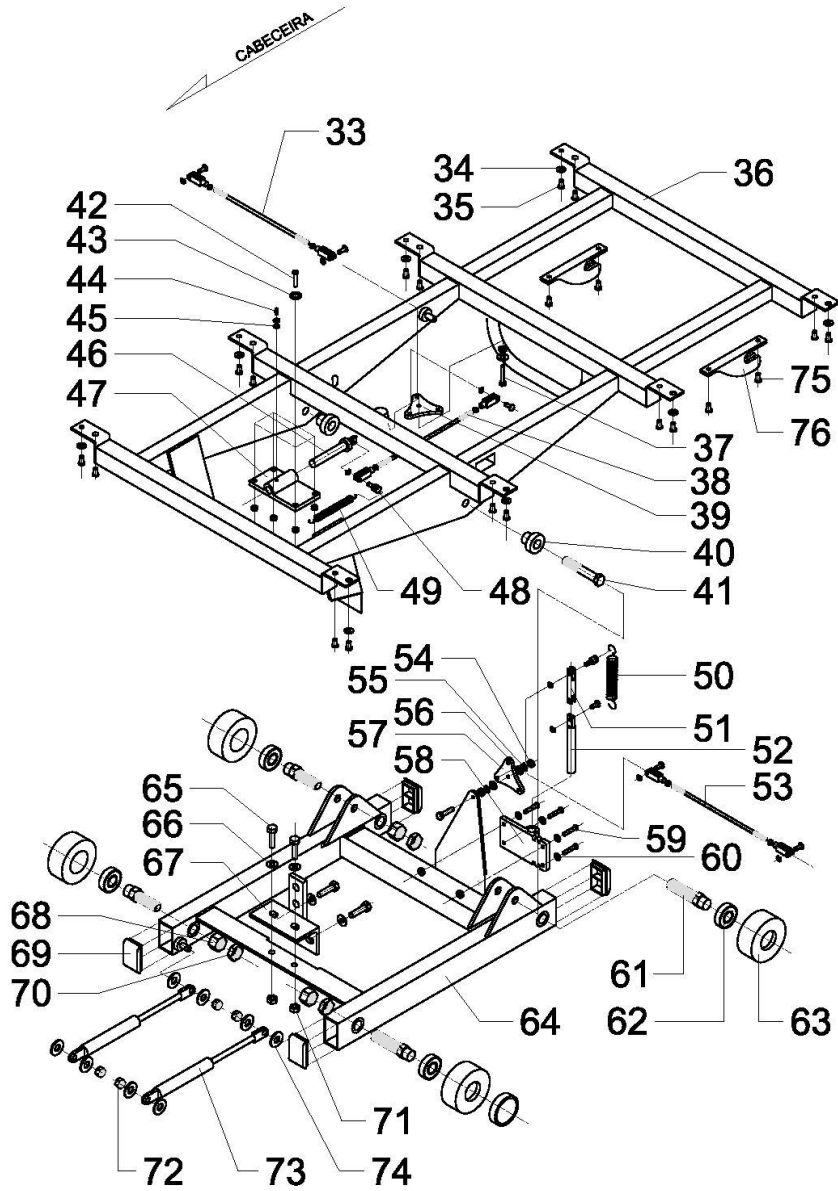
## Notice:

Before move the table is necessary to unlock the safety bar.  
(Only unlocking the safety is possible to use all the table levers).



Location of the safety bar.





Position	Part Number
1	MTPRQC0012
2	MTBAB0012
3	PTBLINCHAAL0002
4	PTRAMCH0001
4.1	PTPROTCH0001
5	MTPRFQ0001
6	MTPRCIU0068
7	MTBAN0006
8	PTSISTRVCAR0001
9	MTPLDAR0032
10	MTPLDAR0013
11	MTPRQC0012
12	MTPLDAR0028
13	PTTIRLIGCH0002
14	MTCASGEN0003
15	MTMOESTCA0051
16	MTPRAP0002
17	MTPRQC0021
18	PTMOACECH0001
19	PTESTCHAAL0004
20	PTENGESESAL0001
21	MTPRAF0002
22	MTPRFA0003
23	MTPRQC0011
24	MTMECIN0022
25	PTBARCH0002
26	PTTIRLIGCH0001
27	MTPRFN0026
28	PTMOVARCH0019
29	MTGENMO0004
30	MTFRESEGCR0001
31	MTTOFU0001
32	MTMOCRACH0001
33	MTMOVARCH0004
34	MTPRAP0002
35	MTPRQC0021
36	PTESTINCHMA0001
37	MTPRSE0010
38	MTMOVARCH0004
39	PTESTENG0001
40	MTCASGEN0003
41	MTPRSE0051
42	MTPRQC0021
43	MTPRAP0002
44	MTPRGR0001
45	MTPRARE001
46	PTVEIENG0002
47	MTMOESTCA0009
48	MTMOENGCH0001
49	MTGENMO0004
50	MTGENMO0004
51	MTVEIUNI0002
52	PTVEIENG0001
53	MTMOVARCH0005
54	MTPRFN0002
55	MTPRAP0002
56	MTNGEN0001
57	PTESTENG0001

Position	Part Number
58	MTMOESTCA0009
59	MTPRQC0021
60	MTPRAP0002
61	PTVEIRODCH0001
62	MTGENROL0006
63	PTRODNYCHA0001
63,1	PTANIRODNY0001
64	PTCARRODMAN0001
65	MTPRSE0021
66	MTPRAP0003
67	PTPETRVINC0001
68	MTPRFA0008
69	MTBTT0020
70	MTPRFF0001
71	MTPRFA0004
72	MTPRFA0004
73	MTGENAMO0025
74	MTBAN0006
75	MTMOESTCA0013
76	MTPRCC0033
77	PTTRASEGCH0001
78	MTPRCIU0019
79	MTBAN0006
80	MTPRFA0014
81	MTPAGR0001
82	PUCHUCHAAL001
83	PTFIXSAPCHA0001
84	MTVEIOAICHA0001
85	MTMOCASCH0002
86	PTMOVEICH0001
87	MTPRFN0005
87,1	PTSUPCHCHEL0002
88	PTFIXSAPCHA0001
89	MTPRCU0026
90	MTPRCU0012
91	PTCANTRACHE0001
92	MTMOCASCH0002
93	PTPEDFECHA001
93,1	MTBCP0001
94	PTVARCHAMAN0001
95	MTGENABR0005
96	MTPRQC0027
97	MTGENMO0004
98	MTPRSE0020
99	MTPRFA0004
100	PTTRALATINF0001
101	MTPRSE0009
102	PTSUPCHCHEL0001
103	MTPRQC0019
104	PTBARNYCHMA0002
105	PTSUPBARNY0001
106	MTPRFQ0001
107	MTPRFA0003
108	PTBARENCRCH0001
109	MTPRCC0035
110	PTCRUESCH0001

