

M860

Trolley and stretcher
– separable

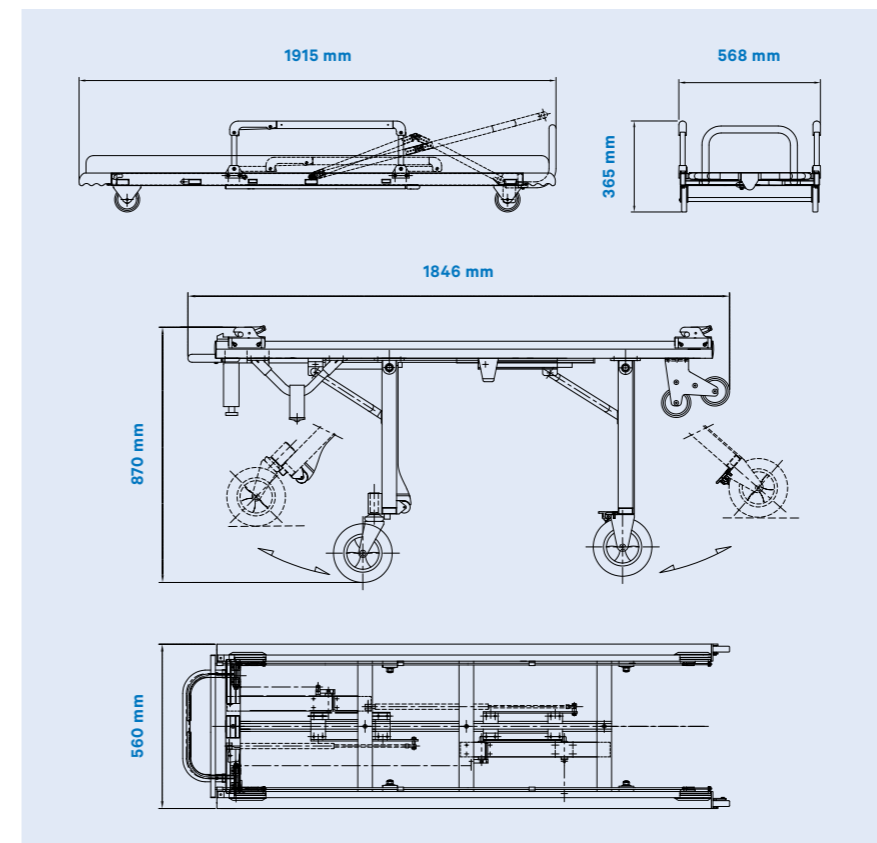


EN 1865-1
10G



M860. Trolley and stretcher – separable.

- Structure in aluminium
- 4 telescopic handles in 175 mm
- 4 wheels with 200mm diameter (2 swivel and 2 fixed)
- Adjustable backrest with eight positions
- Adjustable foot rest with four positions



Made in Portugal



EN 1865-1
10G

Weight:

32,7 kg (trolley)

+ 18 kg (stretcher)

Maximum load capacity:

250 kg

Trolley dimensions (closed):

1846 x 560 x 455 mm

Trolley dimensions (open):

1846 x 560 x 870 mm

Stretcher dimensions:

1915 x 568 x 365 mm

Equipped with:

IV pole

Swing-down sidearms

Foot support

Shoulder harness cot restraint

Restraint straps for waist and legs

Warranty:

2 years

