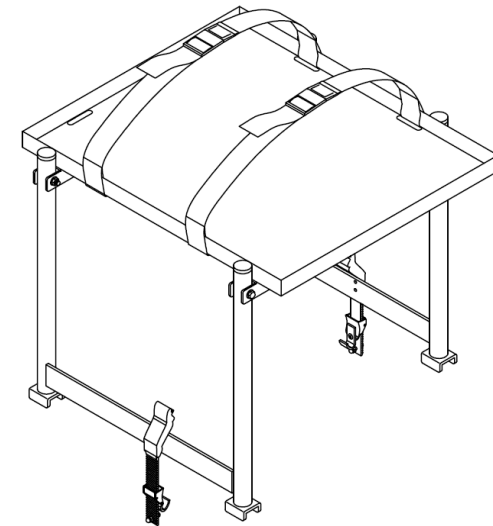


Rua de S. Caetano, 551 Apartado 526
4411-701 Canelas; Vila Nova de Gaia, Portugal
Telf: +351 227157100 , Fax: +351 2271244
autoribeiro@autoribeiro.pt
www.autoribeiro.pt

Inglês:

User Manual: Instruments Tray



Instruments Tray

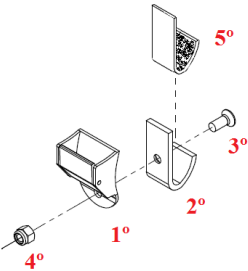
SPECIFICATIONS

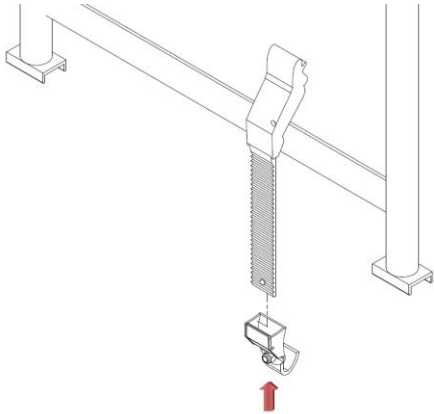
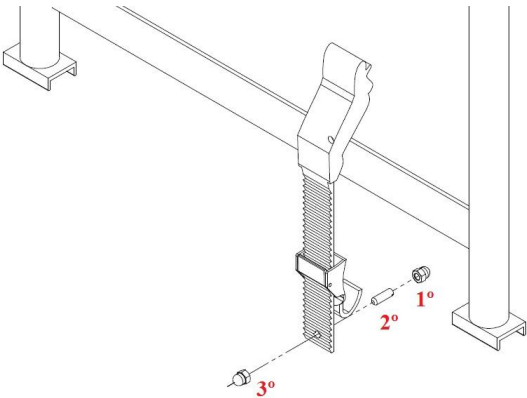
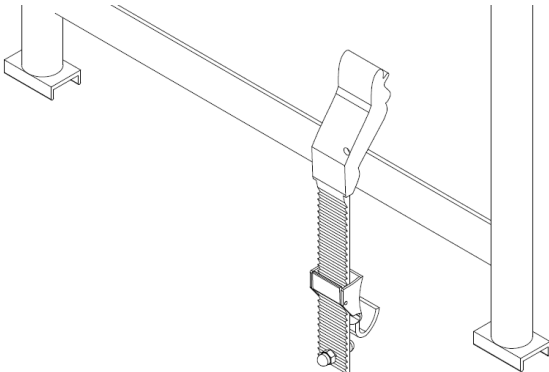
- Weight: 5,8 kg
- Dimensions (open): 570 x 515 x 470 mm
- Dimensions (closed): 570 x 515 x 75 mm

OPERATING MODE / USE

	<p>1° - Instruments Tray in use</p>
	<p>2° - Instruments Tray at rest</p>

ASSEMBLY STEPS

<p style="text-align: center;">ASSEMBLY STEPS</p>	
 <p style="text-align: center;">FOR MONOBLOC</p>	<p style="text-align: center;">STEP 1</p> <p>1° - Lock (2 units) 2° - Steel hook (2units + 2units) 3° - Flat Socket Hex Screw M5x10 (2units) 4° - Nylon Insert lock Nut M5 (2units) 5° - Velcro tape (2units + 2units)</p> <p style="text-align: center;">FOR STRETCHER</p>

	<p style="text-align: center;">STEP 2</p>
	<p style="text-align: center;">STEP 3</p> <p>1° - Cap Nut M5 (2units) 2° - Set Screw M5x12 (2units) 3° - Cap Nut M5 (2units)</p>
	<p style="text-align: center;">STEP 4</p>