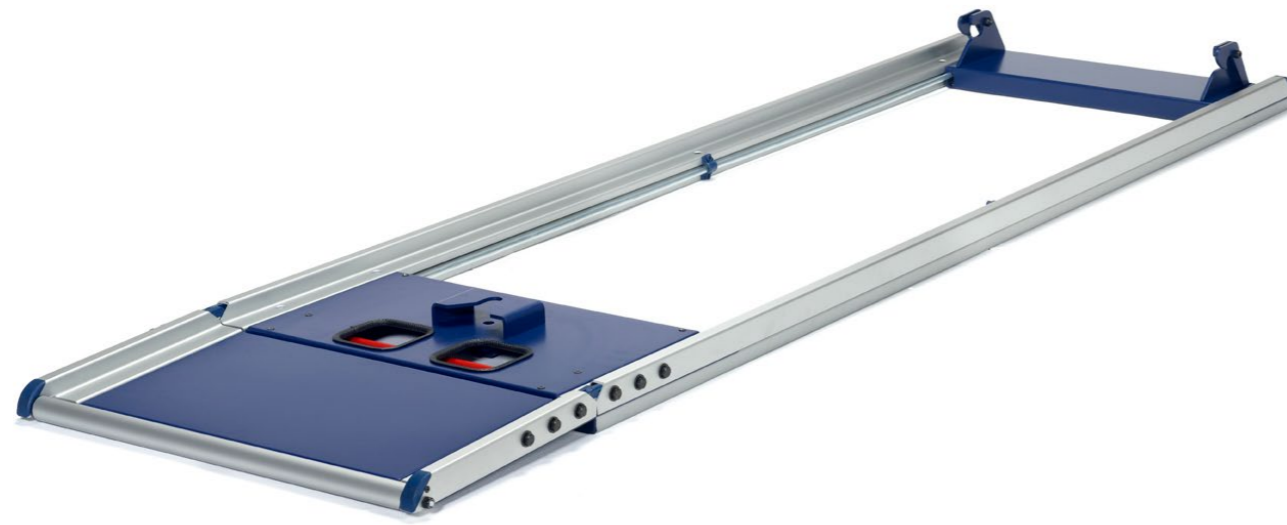


E250

Fastener



EN 1865-5
10G



E250. Fastener.

- Part of the structure in aluminium
- Tipper ramp for access
- 3 fixation points

EN 1865-5
10G

Weight:

21,6 kg

Dimensions (closed):

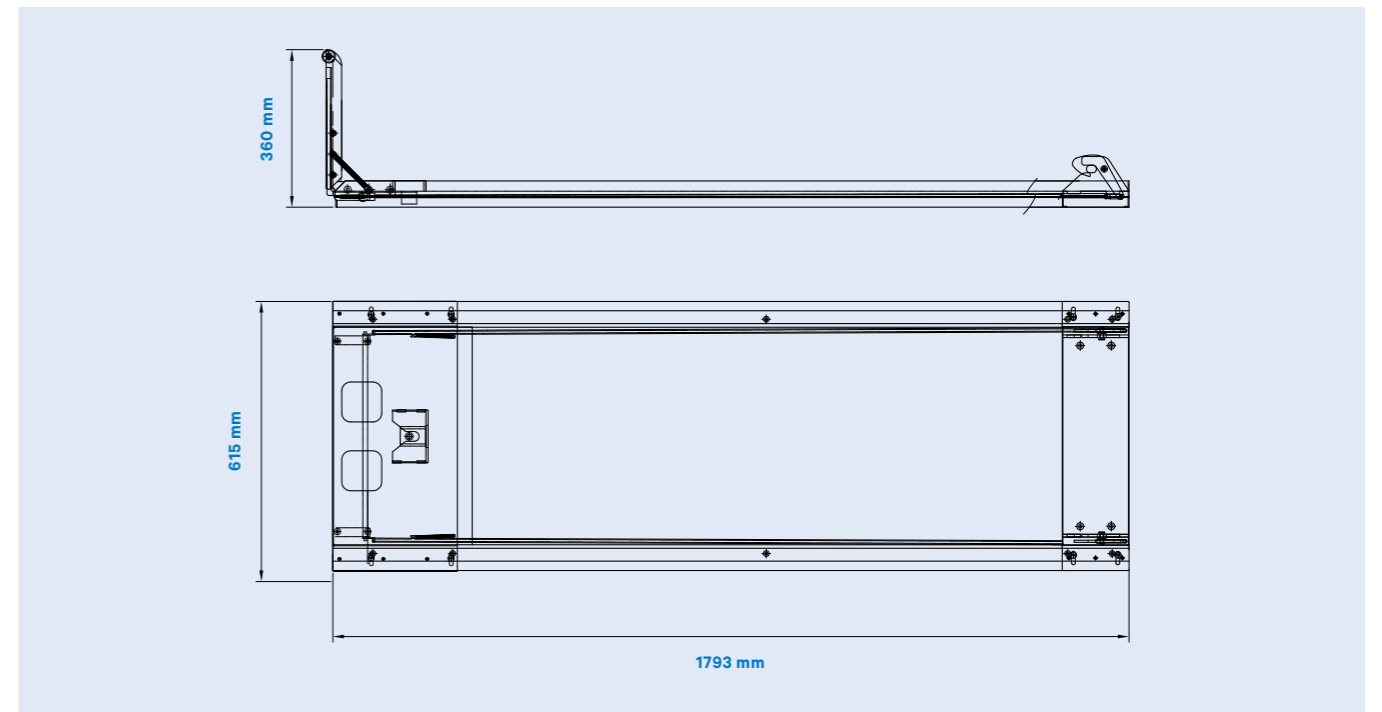
1793 x 615 x 360 mm

Dimensions (open):

2133 x 615 x 115 mm

Warranty:

2 years



Made in Portugal



Rua de S. Caetano 459 / 519
Apartado 526
4411-701 Canelas, V. N. Gaia,
Portugal

www.autoribeiro.pt
autoribeiro@autoribeiro.pt
+351. 227 157 100
+351. 227 121 144 (F)

