

# D250

Electric revolving step



Directive  
98/37/CE

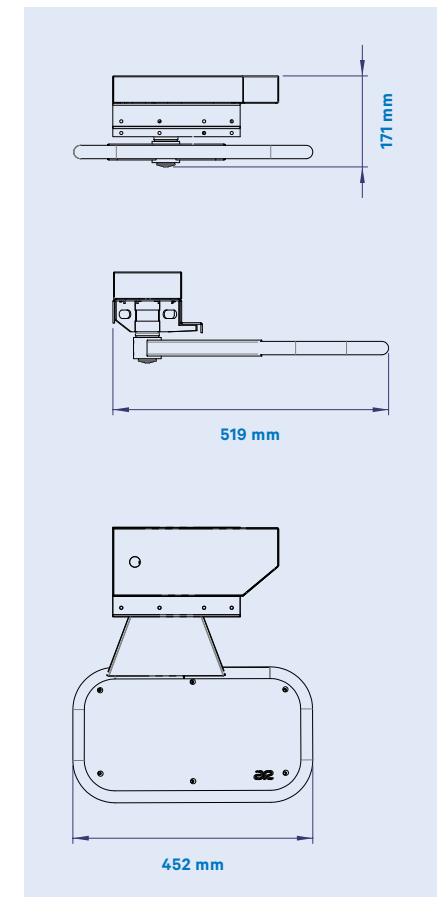
D250. Electric revolving step.

- Part of the structure in aluminum
- Electric system
- Rotation of 90°
- Robustness, strength and stability

Directive  
98/37/CE

Weight:  
**9 kg**  
Dimensions (open):  
**519 x 452 x 171 mm**

Warranty:  
**2 years**



Made in Portugal

