

D200

Manual step



Directive
98/37/CE



D200. Manual step.

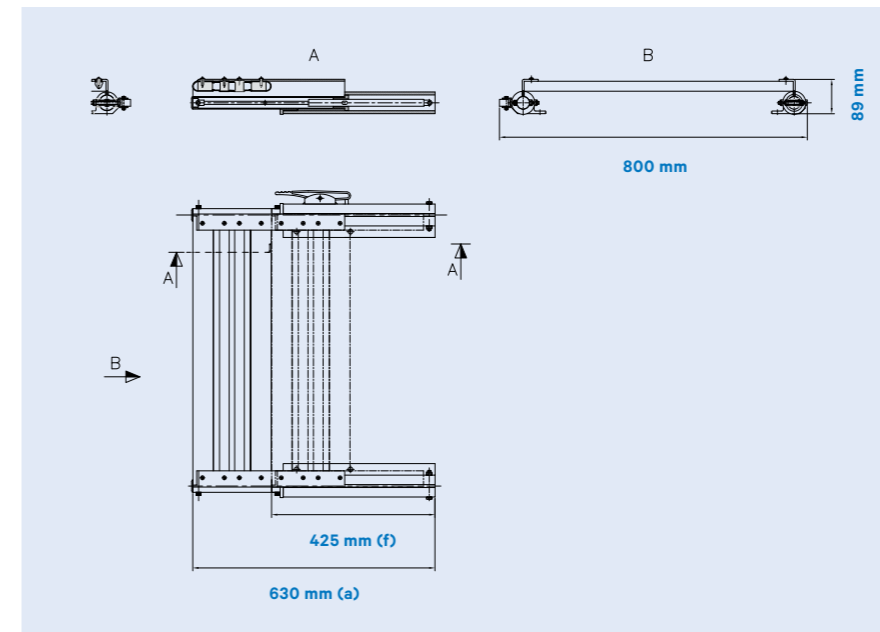
- Structure in aluminium
- Linear and sliding opening
- Robustness, strength and stability



Directive
98/37/CE

Weight:
8 kg
Dimensions (closed):
800 x 425 x 89 mm
Dimensions (open):
800 x 630 x 89 mm

Warranty:
2 years



Made in Portugal

