

EN 1865-4

C600

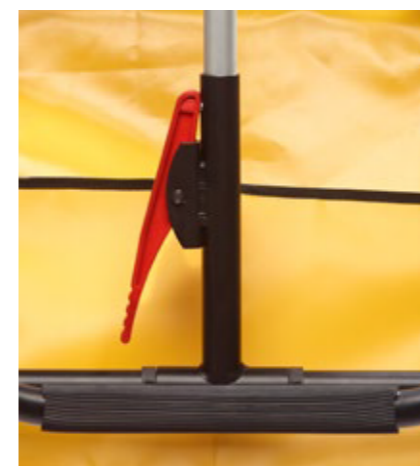
Foldable
orthopedic wheelchair

areequipment



C600. Foldable orthopedic wheelchair.

- Structure in aluminium
- 4 foldable handles
- 2 fixed and 2 swivel wheels
- Foldable chair
- Restraint strap for manual transport

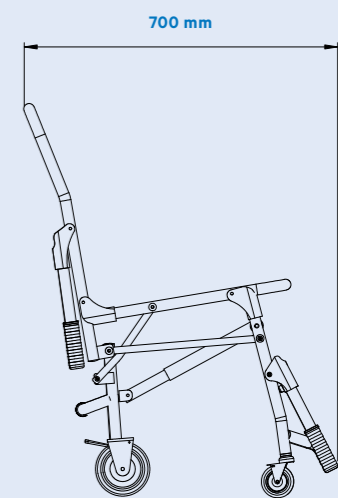
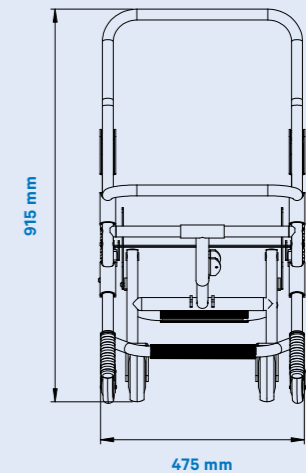


EN 1865-4

Weight:
7,8 kg
Maximum load capacity:
160 kg
Dimensions (closed):
620 x 475 x 250 mm
Dimensions (open):
915 x 700 x 475 mm

Equipped with:
Restraint straps for waist and legs

Warranty:
2 years



Made in Portugal

areequipment