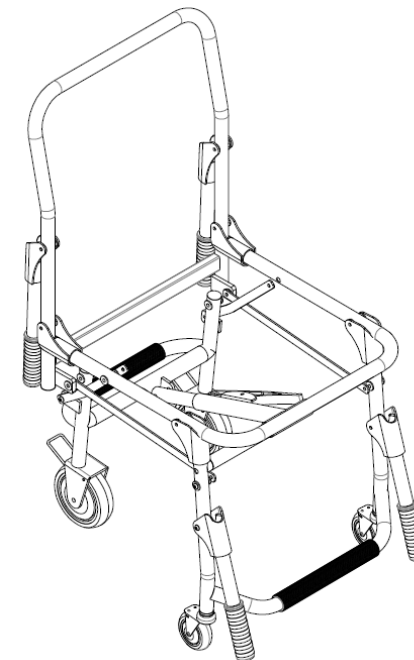


Rua de S. Caetano, 551 Apartado 526
4411-701 Canelas; Vila Nova de Gaia, Portugal
Telf: +351 227157100 , Fax: +351 2271244
autoribeiro@autoribeiro.pt
www.autoribeiro.pt

INSTRUCTIONS MANUAL: C600 – ORTOPHEDIC FOLDABLE WHEELCHAIR

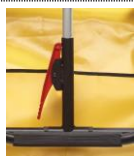


C600 - Orthopedic foldable wheelchair

The orthopaedic foldable wheelchair is an Equipment of manual drive, developed to be used as a transport in places of difficult access. This chair as for main purpose the transport of patients with reduced mobility. This product is developed and produced by Auto Ribeiro Lda..

OPERATING MODE / UTILIZATION

Close System



1º - Press the safety red lever.



2º - Hold the red lever and the back structure and close the chair with one motion.

Open system



1º - Open the chair with one motion until hearing a "click".

Foldable Handles



1º - 4 Foldable Handles

CHARACTERISTICS

- Weight: 7,8 kg
- Dimensions (closed): 620 x 475 x 250 mm
- Dimensions (Open): 915 x 700 x 475 mm

ACCESSORIES



Restraint straps for Waist and legs



Carrying restraint straps



Carrying strap

SAFETING WARNINGS



This equipment can be dangerous:

- Risk of entrapment
- Equipment provided with a closure string

ATTENTION: USED ONLY BY QUALIFIED PEOPLE



- Check if the closure is locked up before placing the patient

MAINTENANCE



- Perform visual inspections every fifty cycles of utilization.
- Lubrication elements of mechanical function every six months with high viscosity lubricant
- Checking of tightness of binding elements of every three months. Proceed to adjust if necessary